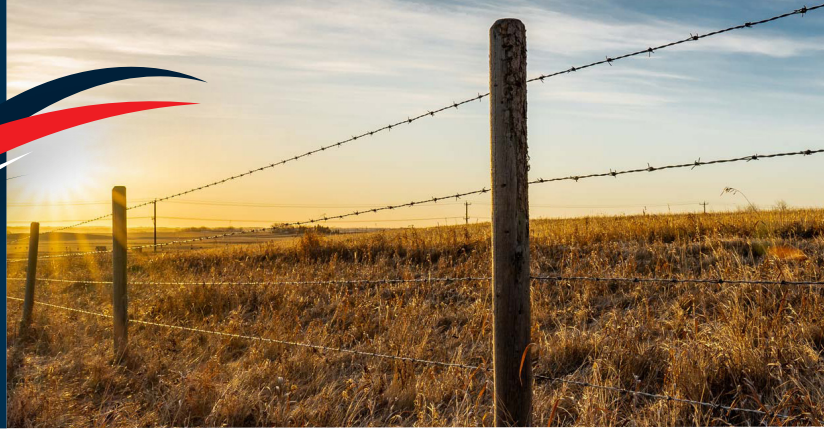


STOCK LOWPRO

BUMPER PULL SERIES



7' x 12'

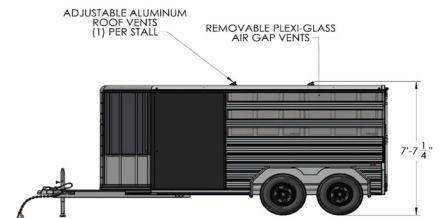
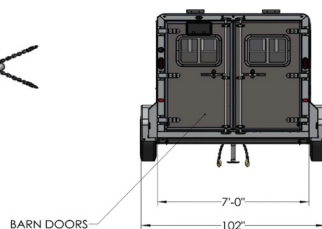
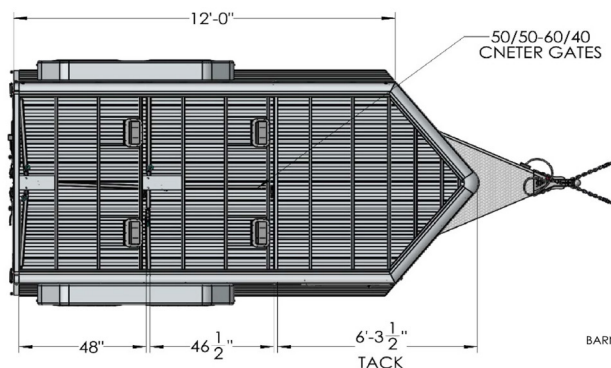
STANDARD FEATURES

- > 12' Floor, 7' Wide, 6' Tall
- > Bumper Pull, V-Nose, 24" Stone Guard
- > All Box Tube Aluminum Chassis
- > One Piece, .040 Aluminum Roof w/ Heavy Duty Radius Roof Extrusion
- > Extruded Aluminum Decking, 12" I-Beam O/C Crossmembers
- > .040 Pre-Painted Exterior Side Sheets
- > V-Nose & Extruded Aluminum Sides
- > Newly Designed 4' Adjustable Stalls w/ Spring Latch System (4 - 12' model)
- > All LED Exterior Lighting
- > 4 Wheel Electric Brakes w/ Safety Break-Away Kit
- > Tack Area - 44" Tack, 32"x64" Tack Access Door w/ Sliding Window & Screen, 1/2" Rubber Mats, & (1) LED Dome Light w/ Wall Switch
- > Tandem 3.5K Braked, Dexter Torsion Ride Axles
- > Aluminum Rims, 225/75R15 - 6 Lug Wheels
- > Heavy Duty Rear Step-Up Rubber Bumper
- > (3) Air Gaps w/ Plexitrac for Standard Plexiglass Sides
- > Full-Length Running Boards
- > 50/50 Double Rear Doors w/ Sliding Windows and Bars
- > Full-length LED Strips Lights Both Sides of Stock Area, Full Length w/ Switch
- > U-Bolt Spring Latches for Pen Gate Tie Backs
- > Top-Winding Wheel Jack
- > 8-Year Limited Warranty

ADDITIONAL OPTIONS

- > Upgrade to 8' Wide (Interior)
- > Stainless Steel Nose Wrap - Mirror Finish (Nose Cone)
- > 6" Extended Tongue (Includes Center Upgrade)
- > Upgrade to Black Aluminum Rims from Aluminum (Same Size)
- > Add 6" to Box Height (Livestock Models) PBF
- > Ramp Over Double Doors
- > Access Door to Tack Area 20" x 64"
- > Upgrade to Additional LED Marker Lights Bullets
- > 12V LED Porch Light w/ Wall Switch
- > 12V LED Load Light (Single Light w/ Switch, 950 Lumen)
- > 110V Power Package #2 (1) 30 Amp Breaker w/ 25' Shore Line, (2) Standard Wall Receptacle & (2) GFI Wall Receptacle
- > Brace and Stub Wire for Future AC Installation
- > .030 Ceiling Liner w/ Insulation (Tack Area)
- > .030 Ceiling Liner w/o Insulation (Horse Area; PLF)
- > .030 Ceiling Liner w/ Insulation (Horse Area; PLF)
- > Bucket Hangers (Stock Area) (per Pen Gate)
- > 8' Plexiglass Holder (Mounts to Interior Wall High)
- > Bucket Hangers (Tack Room) (Set of 6)
- > 36"x18" Hat Shelf for LowPro w/ Clothing Rod
- > Floor-Level Spare Tire Mount
- > Spare 15" Silver Mod Wheel w/ 225/75R15 Wheel
- > Spare 15" Aluminum Wheel w/ 225/75R15 Tire (5-Lug)
- > Spare 15" Black Aluminum Wheel w/ 225/75R15 Tire (5-Lug)
- > Upgrade Rear Ramp to Stainless Steel Skin
- > 1/2" Rubber Mats for Livestock (PBF)
- > Powdercoat LowPro Pen Gate (EA)

SCHEMATICS



COLOR OPTIONS





STOCK LOWPRO

BUMPER PULL SERIES CONTINUED

7' x 14'

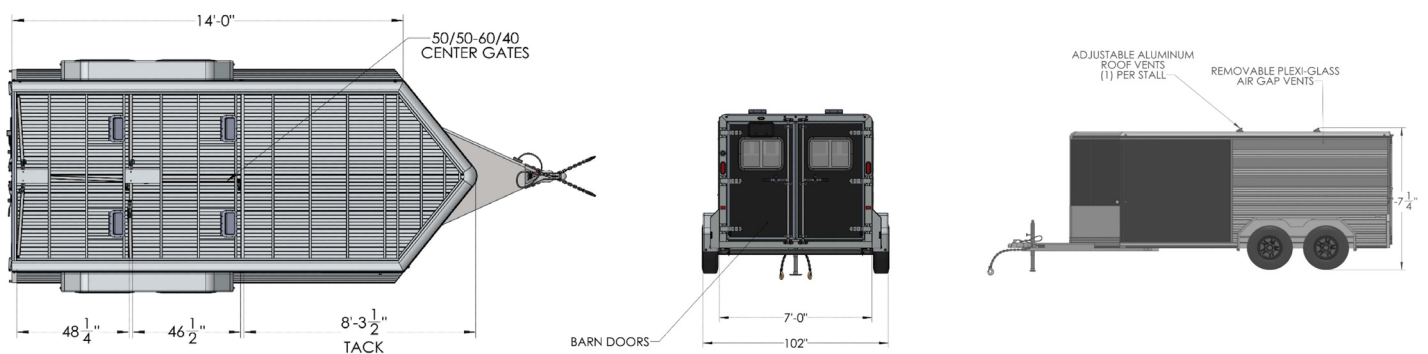
STANDARD FEATURES

- > 14' Floor, 7' Wide, 6' Tall
- > Bumper Pull, V-Nose, 24" Stone Guard
- > All Box Tube Aluminum Chassis
- > One Piece, .040 Aluminum Roof w/ Heavy Duty Radius Roof Extrusion
- > Extruded Aluminum Decking, 12" O/C I-Beam Crossmembers
- > .040 Pre-Painted Exterior Side Sheets V-Nose & Extruded Aluminum Sides
- > 32"x64" Stock Access Door w/ Butterfly Locking Bar (Livestock Style)
- > 4 Wheel Electric Brakes w/ Safety Break-Away Kit
- > All LED Exterior Lighting
- > Tack Area - 20" Tack, 32"x64" Tack Access Door w/ Sliding Window & Screen (V-Nose location), 1/2" Rubber Mats, & (1) LED Dome Light w/ Wall Switch
- > Tandem 3.5K Braked, Dexter Torsion Ride Axles
- > Aluminum Rims, 225/75R15 - 6 Lug Wheels
- > Heavy Duty Rear Step-Up Rubber Bumper
- > (3) Air Gaps w/ Plexitrac for Standard Plexiglass Sides
- > Full-Length Running Boards
- > 50/50 Double Rear Doors w/ Sliding
- > Windows and Bars
- > Full-length LED Strips Lights in Stock Area, Both Sides
- > Top-Winding Wheel Jack
- > Escape Door Pen Gate, U-Bolt Spring Latches for Pen Gate Tie Backs
- > Newly Designed 4' Adjustable Stalls w/ Spring Latch System (6 - 14' model)
- > 8-Year Limited Warranty

ADDITIONAL OPTIONS

- > Upgrade to 8' Wide (Interior)
- > Stainless Steel Nose Wrap - Mirror Finish (Nose Cone)
- > 6" Extended Tongue (Includes Center Upgrade)
- > Upgrade to Black Aluminum Rims from Aluminum (Same Size)
- > Add 6" to Box Height (Livestock Models) PBF
- > Ramp Over Double Doors
- > Access Door to Tack Area 20" x 64"
- > Upgrade to Additional LED Marker Lights Bullets
- > 12V LED Porch Light w/ Wall Switch
- > 12V LED Load Light (Single Light w/ Switch, 950 Lumen)
- > 110V Power Package #2 (1) 30 Amp Breaker w/ 25' Shore Line, (2) Standard Wall Receptacle & (2) GFI Wall Receptacle
- > Brace and Stub Wire for Future AC Installation
- > .030 Ceiling Liner w/ Insulation (Tack Area)
- > .030 Ceiling Liner w/ Insulation (Horse Area; PLF)
- > Additional Pen Gate for Livestock Trailer
- > Bucket Hangers (Stock Area) (per Pen Gate)
- > 8' Plexiglass Holder (Mounts to Interior Wall High)
- > Bucket Hangers (Tack Room) (Set of 6)
- > 36"x18" Hat Shelf for LowPro w/ Clothing Rod
- > Upgrade Rear Ramp to Stainless Steel Skin
- > Floor-Level Spare Tire Mount
- > Spare 15" Silver Mod Wheel w/ 225/75R15 Wheel
- > Spare 15" Aluminum Wheel w/ 225/75R15 Tire (5-Lug)
- > 1/2" Rubber Mats for Livestock (PBF)
- > Powdercoat LowPro Pen Gate (EA)

SCHEMATICS



COLOR OPTIONS





STOCK LOWPRO

BUMPER PULL SERIES CONTINUED

7' x 16'

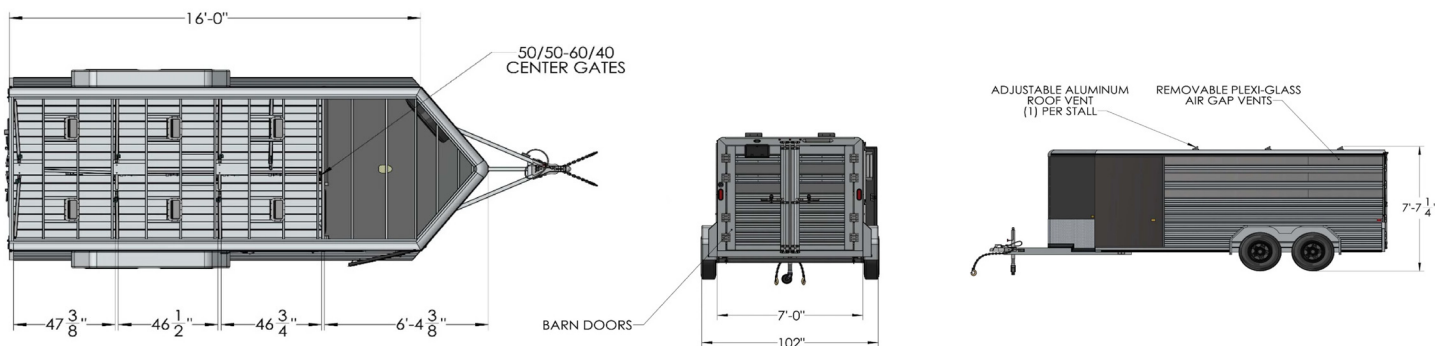
STANDARD FEATURES

- > 16' Floor, 7' Wide, 6' Tall
- > Bumper Pull, V-Nose, 24" Stone Guard
- > All Box Tube Aluminum Chassis
- > One Piece, .040 Aluminum Roof w/ Heavy Duty Radius Roof Extrusion
- > Extruded Aluminum Decking, 12" O/C I-Beam Crossmembers
- > .040 Pre-Painted Exterior Side Sheets V-Nose & Extruded Aluminum Sides
- > 32"x64" Stock Access Door w/ Butterfly Locking Bar (Livestock Style)
- > 4 Wheel Electric Brakes w/ Safety Break-Away Kit
- > All LED Exterior Lighting
- > Tack Area - 44" Tack, 32"x64" Tack Access Door w/ Sliding Window& Screen (C/S location), 1/2" Rubber Mats, & (1) LED Dome Light w/ Wall Switch
- > Tandem 3.5K Braked, Dexter Torsion Ride Axles
- > Aluminum Rims, 225/75R15 - 6 Lug Wheels
- > Heavy Duty Rear Step-Up Rubber Bumper
- > (3) Air Gaps w/ Plexitrac for Standard Plexiglass Sides
- > Full-Length Running Boards
- > 50/50 Double Rear Doors w/ Sliding Windows and Bars
- > Full-length LED Strips Lights in Stock Area, Both Sides
- > Top-Winding Wheel Jack
- > Escape Door Pen Gate, U-Bolt Spring Latches for Pen Gate Tie Backs
- > Newly Designed 4' Adjustable Stalls w/ Spring Latch System (6- 16' model)
- > 8-Year Limited Warranty

ADDITIONAL OPTIONS

- > Upgrade to 8' Wide
- > Stainless Steel Nose Wrap - Mirror Finish (Nose Cone)
- > 6" Extended Tongue (Includes Center Upgrade)
- > Upgrade to Black Aluminum Rims from Aluminum (Same Size)
- > Add 6" to Box Height (Livestock Models) PBF
- > Ramp Over Double Doors
- > Access Door to Tack Area 20" x 64" (Interior)
- > Upgrade to Additional LED Marker Lights Bullets
- > 12V LED Load Light (Single Light w/ Switch, 950 Lumen)
- > 110V Power Package #2 (1) 30 Amp Breaker w/ 25' Shore Line, (2) Standard Wall Receptacle & (2) GFI Wall Receptacle
- > Brace and Stub Wire for Future AC Installation
- > .030 Ceiling Liner w/ Insulation (Tack Area)
- > .030 Ceiling Liner w/o Insulation (Horse Area; PLF)
- > .030 Ceiling Liner w/ Insulation (Horse Area; PLF)
- > .030 Ceiling Liner w/ Insulation (Horse Area; PLF)
- > Additional Pen Gate for Livestock Trailer
- > 8' Plexiglass Holder (Mounts to Interior Wall High)
- > Bucket Hangers (Stock Area) (per Pen Gate)
- > Bucket Hangers (Tack Room) (Set of 6)
- > 36"x18" Hat Shelf for LowPro w/ Clothing Rod
- > Upgrade Rear Ramp to Stainless Steel Skin
- > Add 36" Wide Ramp on Side of Trailer (Livestock, Stock LowPro models only)
- > Floor-Level Spare Tire Mount
- > Spare 15" Silver Mod Wheel w/ 225/75R15 Wheel
- > Spare 15" Aluminum Wheel w/ 225/75R15 Tire (5-Lug)
- > 1/2" Rubber Mats for Livestock (PBF)
- > Powdercoat LowPro Pen Gate (EA)

SCHEMATICS



COLOR OPTIONS





STOCK LOWPRO

BUMPER PULL SERIES CONTINUED

7' x 20'

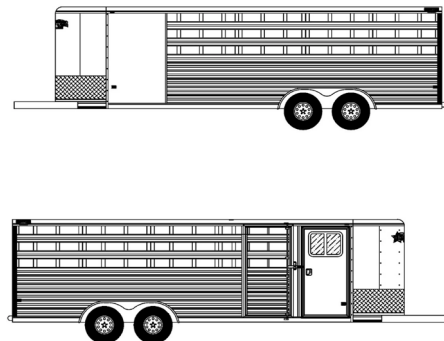
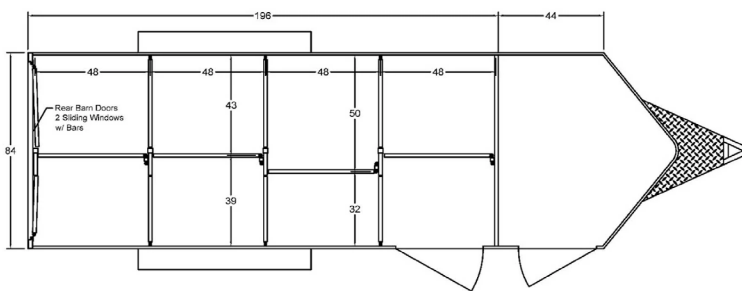
STANDARD FEATURES

- > 20' Floor, 7' Wide, 6' Tall
- > Bumper Pull, V-Nose, 24" Stone Guard
- > All Box Tube Aluminum Chassis
- > One Piece, .040 Aluminum Roof w/ Heavy Duty Radius Roof Extrusion
- > Extruded Aluminum Decking, 12" O/C I-Beam Crossmembers
- > .040 Pre-Painted Exterior Side Sheets V-Nose & Extruded Aluminum Sides
- > 32"x64" Stock Access Door w/ Butterfly Locking Bar (Livestock Style)
- > 4 Wheel Electric Brakes w/ Safety Break-Away Kit
- > All LED Exterior Lighting
- > Tack Area - 44" Tack, 32"x64" Tack Access Door w/ Sliding Window & Screen (C/S location), 1/2" Rubber Mats, & (1) LED Dome Light w/ Wall Switch
- > Tandem 3.5K Braked, Dexter Torsion Ride Axles
- > Aluminum Rims, 225/75R15 - 6 Lug Wheels
- > Heavy Duty Rear Step-Up Rubber Bumper
- > (3) Air Gaps w/ Plexitrac for Standard Plexiglass Sides
- > Full-Length Running Boards
- > 50/50 Double Rear Doors w/ Sliding Windows and Bars
- > Full-length LED Strips Lights in Stock Area, Both Sides
- > Top-Winding Wheel Jack
- > Escape Door Pen Gate, U-Bolt Spring Latches for Pen Gate Tie Backs
- > Newly Designed 4' Adjustable Stalls w/ Spring Latch System 8 - 20' model)
- > 8-Year Limited Warranty

ADDITIONAL OPTIONS

- > Upgrade to 8' Wide PBF
- > Stainless Steel Nose Wrap - Mirror Finish (Nose Cone)
- > 6" Extended Tongue (Includes Center Upgrade)
- > Upgrade to 2-5K Torsion Braked Axles (From 2-3K Braked)
- > Upgrade to Black Aluminum Rims from Aluminum (Same Size)
- > Upgrade to 16" Aluminum Wheels (Radial; From 15" 225 Aluminum)
- > Add 6" to Box Height (Livestock Models)
- > Ramp Over Double Doors
- > Access Door to Tack Area 20" x 64" (Interior)
- > Add Drop-Down Vent/Feed Slot to Livestock (Require Livestock Siding) (Per Stall)
- > 1/2" Rubber Mats for Livestock (PBF)
- > 12V LED Load Light (Single Light w/ Switch, 950 Lumen)
- > 110V Power Package #2 (1) 30 Amp Breaker w/ 25' Shore Line, (2) Standard Wall Receptacle & (2) GFI Wall Receptacle
- > Brace and Stub Wire for Future AC Installation
- > .030 Ceiling Liner w/ Insulation (Tack Area)
- > .030 Ceiling Liner w/ Insulation (Horse Area; PLF)
- > Bucket Hangers (Stock Area) (per Pen Gate)
- > Bucket Hangers (Tack Room) (Set of 6)
- > 8' Plexiglass Holder (Mounts to Interior Wall High)
- > 36"x18" Hat Shelf for LowPro w/ Clothing Rod
- > Additional Pen Gate for Livestock Trailer
- > Upgrade Rear Ramp to Stainless Steel Skin
- > Add 36" Wide Ramp on Side of Trailer (Livestock, Stock LowPro models only)
- > Floor-Level Spare Tire Mount
- > Spare 15" Silver Mod Wheel w/ 225/75R15 Wheel
- > Powdercoat LowPro Pen Gate (EA)

SCHEMATICS



COLOR OPTIONS

