

LIVESTOCK

BUMPER PULL SERIES



12'7"

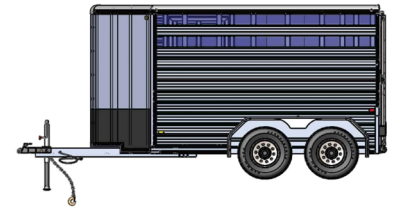
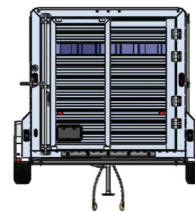
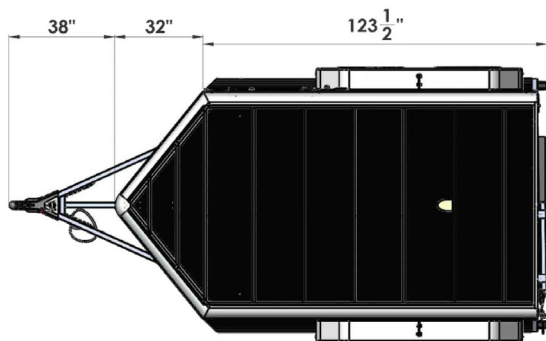
STANDARD FEATURES

- > 10' Floor, 7' Wide, 6'6" Tall
- > Bumper Pull, V-Nose, 24" Stone Guard
- > All Box Tube Aluminum Chassis
- > One Piece, .040 Aluminum Roof w/ Heavy Duty Radius Roof Extrusion
- > Extruded Aluminum Decking, 12" O/C I-Beam Crossmembers
- > Tandem 3.5K Braked, Dexter Torsion Ride Axles
- > 4 Wheel Electric Brakes w/ Safety Break-Away Kit
- > Silver Mods., 225/75R15 - 6 Lug Wheels
- > .040 Pre-Painted Exterior Side Sheets V-Nose & Extruded Aluminum Sides
- > Heavy Duty Rear Step-Up Bumper
- > (2) Air Gaps w/ Plexitrac for Optional Plexiglass Sides and Rear Gate
- > Full-Length Running Boards
- > New Rear Gate Slam Latch System
- > Swinging Center Gate w/ Slam Latch (Std. 16'7" only)
- > (1) LED Dome Light w/ Toggle Switch
- > Top-Winding Wheel Jack
- > 32"x69" Side Access Door w/ Locking Bar
- > Full Swing Rear Gate w/ Air Gaps and Plexitrac & Sliding Calf Gate w/ Heavy Duty Galvanized Hardware
- > 8-Year Limited Warranty

ADDITIONAL OPTIONS

- > Upgrade to 8' Wide
- > Upgrade to 6" O/C Floor Studs (From 12" O/C; PBF) (Frontier; BP)
- > Upgrade to 2-5K Torsion Braked Axles (From 2-3K Braked)
- > Upgrade to 15" 225 Aluminum (Radial; From 15" 225 Silver Mod Radial)
- > Add 6" to Box Height (Livestock Models) PBF
- > Double Rear Doors for Stock Models
- > Enclosed Rear Gate (No Air Gaps)
- > Adjustable Horse Vent
- > Plexiglass for Air Gaps (PLF, Per Foot Per Side, Livestock and Colt Models)
- > Plexiglass for Air Gaps (PKG, Rear Gate, Livestock and Colt Models)
- > Slant Load Divider (for Stock Trailers)
- > Cleated Rubber/Shelby Flooring (Replaces Extruded Aluminum; Livestock Models; PLF)
- > Rumber Flooring (Replaces Extruded Aluminum; Livestock Models; PLF)
- > HD Wall Liner 36" In Stock Area (PLF, per Wall)
- > HD Wall Liner 48" In Stock Area (PLF, per Wall)
- > Exterior Elevated Spare Tire Mount
- > Spare 15" Silver Mod Wheel w/ 225/75R15 Wheel
- > Tie Rail (PLF)
- > Swinging Gate/Wall w/ No Slider
- > Swinging Gate/Wall w/ Slider
- > Upgrade to Floating Center Gate w/ Slider (from Center Gate w/ Slider)
- > 1/2" Rubber Mats for Livestock (PBF)

SCHEMATICS



COLOR OPTIONS



14'7"

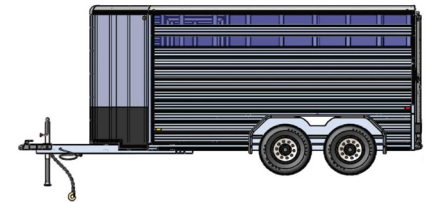
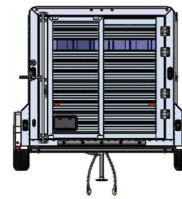
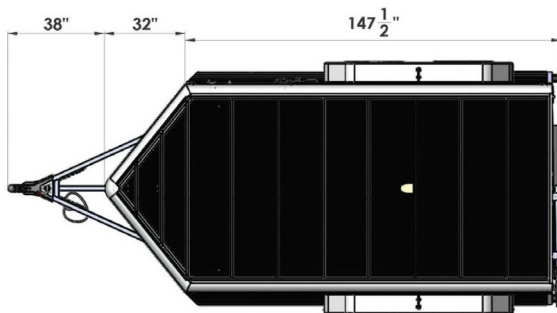
STANDARD FEATURES

- > 12' Floor, 7' Wide, 6'6" Tall
- > Bumper Pull, V-Nose, 24" Stone Guard
- > All Box Tube Aluminum Chassis
- > 4 Wheel Electric Brakes w/ Safety Break-Away Kit
- > One Piece, .040 Aluminum Roof w/ Heavy Duty Radius Roof Extrusion
- > Extruded Aluminum Decking, 12" O/C I-Beam Crossmembers
- > Tandem 3.5K Braked, Dexter Torsion Ride Axles
- > Silver Mods., 225/75R15 - 6 Lug Wheels
- > .040 Pre-Painted Exterior Side Sheets V-Nose & Extruded Aluminum Sides
- > Heavy Duty Rear Step-Up Rubber Bumper (Std. 16'7" only)
- > (2) Air Gaps w/ Plexitrac for Optional Plexiglass Sides and Rear Gate
- > Full-Length Running Boards
- > Top-Winding Wheel Jack
- > New Rear Gate Slam Latch System
- > Swinging Center Gate w/ Slam Latch
- > (1) LED Dome Light w/ Toggle Switch
- > 32"x69" Side Access Door w/ Locking Bar
- > Full Swing Rear Gate w/ Air Gaps and Plexitrac & Sliding Calf Gate w/ Heavy Duty Galvanized Hardware
- > 8-Year Limited Warranty

ADDITIONAL OPTIONS

- > Upgrade to 8' Wide
- > Upgrade to 6" O/C Floor Studs (From 12" O/C;PBF) (Frontier;BP)
- > Upgrade to 2-5K Torsion Braked Axles (From 2-3K Braked)
- > Upgrade to 15" 225 Aluminum (Radial; From 15" 225 Silver Mod Radial)
- > Add 6" to Box Height (Livestock Models) PBF
- > Double Rear Doors for Stock Models
- > Enclosed Rear Gate (No Air Gaps)
- > Adjustable Horse Vent
- > Plexiglass for Air Gaps (PLF, Per Foot Per Side, Livestock and Colt Models)
- > Plexiglass for Air Gaps (PKG, Rear Gate, Livestock and Colt Models)
- > Slant Load Divider (for Stock Trailers)
- > Rumber Flooring (Replaces Extruded Aluminum; Livestock Models; PLF)
- > Cleated Rumber/Shelby Flooring (Replaces Extruded Aluminum; Livestock Models; PLF)
- > HD Wall Liner 36" In Stock Area (PLF, per Wall)
- > HD Wall Liner 48" In Stock Area (PLF, per Wall)
- > Swinging Gate/Wall w/ No Slider
- > Swinging Gate/Wall w/ Slider
- > Upgrade to Floating Center Gate w/ Slider (from Center Gate w/ Slider)
- > Tie Rail (PLF)
- > Exterior Elevated Spare Tire Mount
- > Spare 15" Silver Mod Wheel w/ 225/75R15 Wheel
- > 1/2" Rubber Mats for Livestock (PBF)

SCHEMATICS



COLOR OPTIONS





LIVESTOCK

BUMPER PULL SERIES CONTINUED

16'7"

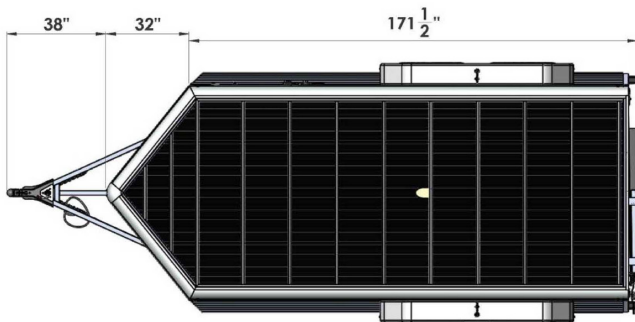
STANDARD FEATURES

- > 14' Floor, 7' Wide, 6'6" Tall
- > Bumper Pull, V-Nose, 24" Stone Guard
- > All Box Tube Aluminum Chassis
- > One Piece, .040 Aluminum Roof w/ Heavy Duty Radius Roof Extrusion
- > Extruded Aluminum Decking, 12" I-Beam O/C Crossmembers
- > Tandem 3.5K Braked, Dexter Torsion Ride Axles
- > Silver Mods., 225/75R15 - 6 Lug Wheels
- > .040 Pre-Painted Exterior Side Sheets
- > V-Nose & Extruded Aluminum Sides
- > Heavy Duty Rear Step-Up Rubber Bumper
- > (2) Air Gaps w/ Plexitrac for Optional Plexiglass Sides and Rear Gate
- > Full-Length Running Boards
- > New Rear Gate Slam Latch System
- > Swinging Center Gate w/ Slam Latch (Std. 16'7" only)
- > (1) LED Dome Light w/ Toggle Switch
- > 32"x69" Side Access Door w/ Locking Bar
- > Full Swing Rear Gate w/ Air Gaps and Plexitrac & Sliding Calf Gate w/ Heavy Duty Galvanized Hardware
- > 8-Year Limited Warranty

ADDITIONAL OPTIONS

- > Upgrade to 8' Wide
- > Upgrade to 6" O/C Floor Studs (From 12" O/C;PBF) (Frontier;BP)
- > Upgrade to 2-5K Torsion Braked Axles (From 2-3K Braked)
- > Upgrade to 15" 225 Aluminum (Radial; From 15" 225 Silver Mod Radial)
- > Add 6" to Box Height (Livestock Models) PBF
- > Double Rear Doors for Stock Models
- > Enclosed Rear Gate (No Air Gaps)
- > Sliding Calf Door in Center Gate
- > Adjustable Horse Vent
- > Plexiglass for Air Gaps (PLF, Per Foot Per Side, Livestock and Colt Models)
- > Plexiglass for Air Gaps (PKG, Rear Gate, Livestock and Colt Models)
- > Slant Load Divider (for Stock Trailers)
- > Cleated Rumber/Shelby Flooring (Replaces Extruded Aluminum; Livestock Models; PLF)
- > Rumber Flooring (Replaces Extruded Aluminum; Livestock Models; PLF)
- > Add 36" Wide Ramp on Side of Trailer (Livestock, Stock LowPro models only)
- > Add 48" Wide Ramp on Side of Trailer (Livestock, Stock LowPro models only)
- > Ramp Over Rear Gate
- > Exterior Elevated Spare Tire Mount
- > Spare 15" Silver Mod Wheel w/ 225/75R15 Wheel
- > 1/2" Rubber Mats for Livestock (PBF)

SCHEMATICS



COLOR OPTIONS



Metallic Grey

Trailer Black

Crystal White